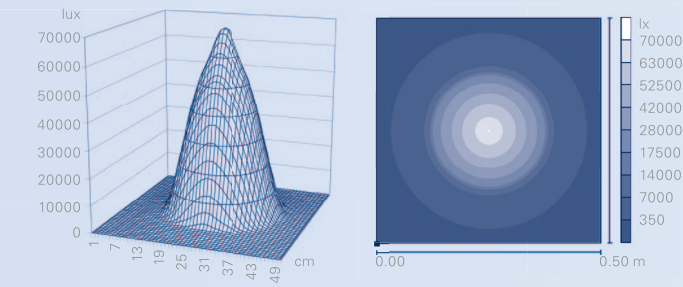
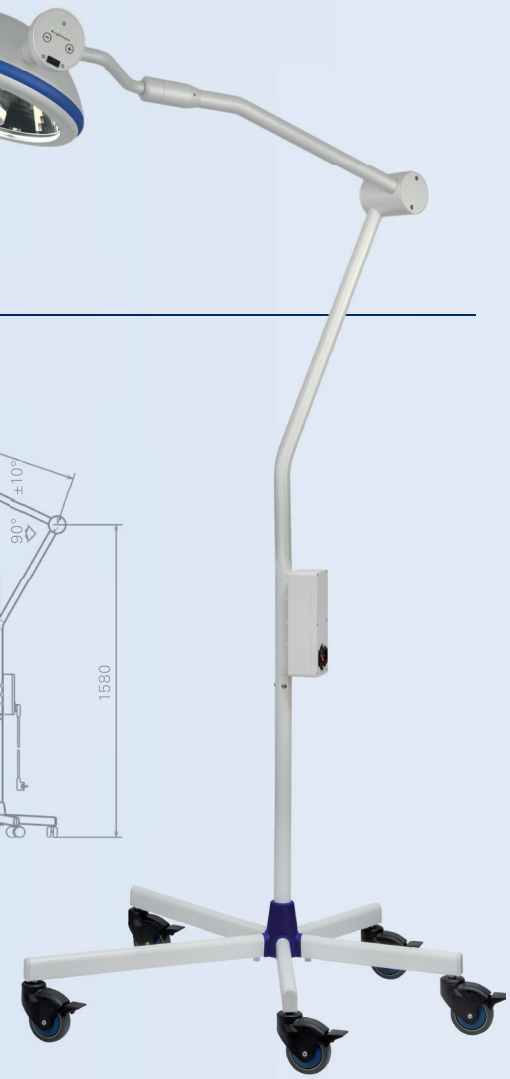
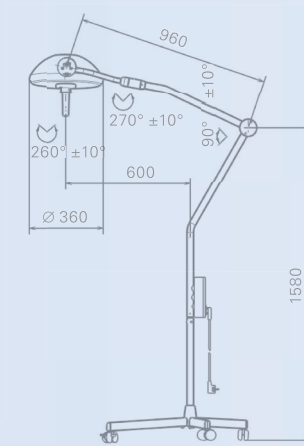


Mobile Examination Lamp

+ flexible use: at the right time, at the right place

Height adjustment	appr. 1.000 mm
Pivoting radius	appr. 950 mm
Total weight (net weight)	appr. 18,0 kg

L511120A	with dimming key
L511125A	with UPS (Uninterruptible Power Supply)
L511130A	with switch



keypad with dimming key and control lamp
+ the adjustable 4-Step-Dimmer guarantees an excellent visibility



Eco-Version: with switch



with UPS
 (Uninterruptible Power Supply)

