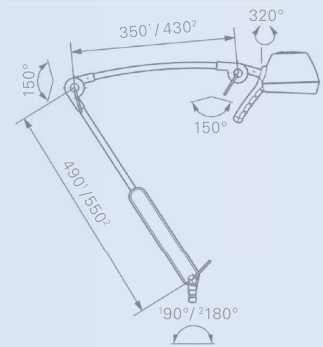




Lamp with Double-Joint Articulated Arm

+ easy and safe positioning of lamp head by means of an ergonomic handle

Working radius	appr. 1.100 mm
Total weight (net weight)	appr. 2,9 kg
Joint pin	Ø 18, L 35 mm
optional	dimmer on request / international plug / 110 V / colour correction filter (only halogen)



► for light details see page 20 –21

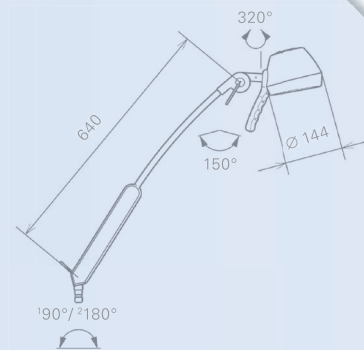
with spring-balance technology ¹	without spring-balance technology ²	
L100080A	L100061A	halogen
L100082A	L100064A	twin version
L100081A		LED

Lamp with Joint Articulated Arm



+ available on a fixed height or adjustable pole on a mobile roller base (see page 24/25)

Working radius	appr. 800 mm
Total weight (net weight)	appr. 2,8 kg
Joint pin	Ø 18, L 35 mm
optional	dimmer on request / international plug / 110 V / colour correction filter (only halogen)



► for light details see page 20 –21

with spring-balance technology ¹	without spring-balance technology ²	
L100030A	L100020A	halogen
L100032A	L100019A	twin version
L100031A	L100024A	LED

for accessories see page 42